

# Evans & Reid

*Britain's Leading Attachment Manufacturer & Undercarriage Supplier*

**Tel: 01639 630587**

**Fax: 01639 633315**

## SPECIAL PRODUCT - RIPPER TOOTH



Dimensions & specifications for 1.5 tonne to 13 tonne excavators can be found on the reverse of this sheet. We also manufacture ripper teeth for micro excavators and excavators up to 30 tonnes. Please call our Sales Team for further information and prices.

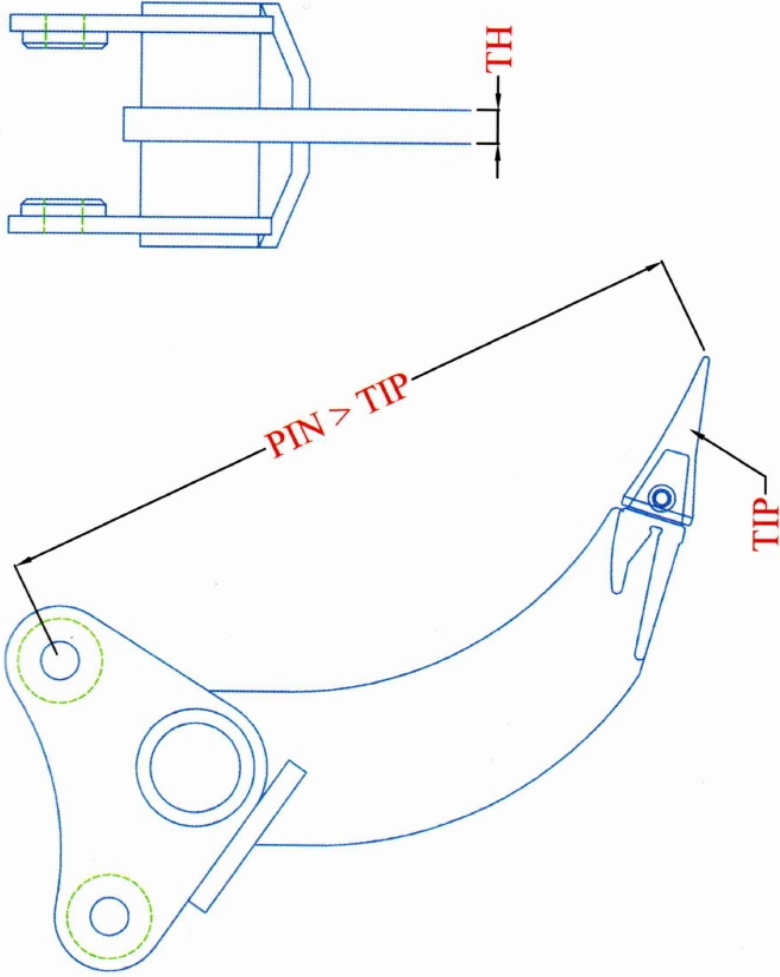
J Evans & SB Reid - The Mini Excavator Centre  
&  
Evans & Reid Ltd  
Staffordshire Warehouse, Canal Road,  
Neath, West Glamorgan, UK. SA11 1LJ  
Tel: 01639 630587 Fax: 01639 633315  
International Tel: +44 1639 630587 Fax: +44 1639 633315  
website: [www.evansreid.freeserve.co.uk](http://www.evansreid.freeserve.co.uk)  
e-mail: [sales@evansreid.freeserve.co.uk](mailto:sales@evansreid.freeserve.co.uk)

# Evans & Reid

*Britain's Leading Attachment Manufacturer & Undercarriage Supplier*

**Tel: 01639 630587 Fax: 01639 633315**

## RIPPER TOOTH SPECIFICATION GUIDELINES



<b>SIZE</b>	<b>1.5 T</b>	<b>2.5 T</b>	<b>3.5 T</b>	<b>5 T</b>	<b>7 T</b>	<b>13 T</b>
<b>PIN &gt; TIP</b>	510mm	630mm	660mm	840mm	870mm	870mm
<b>THICKNESS</b>	30mm	30mm	40mm	40mm	45mm	70mm
<b>TIP (CAT)</b>	428	428	428	205	215	225

**PLEASE CALL OUR SALES TEAM FOR PRICES & AVAILABILITIES**